

产品承认书

APPLICATION

客户名称 (Customer) : _____

客户料号 (Cus. P/N) : _____

产品名称 (Part name) : 接 插 件 _____

产品型号 (part No.) : 富士康 mxm4. 3H _____

拟定日期 (Date) : _____

客户确认 (CUSTOMER APPROVED BY) :		
工程研发部 ENGINEER R&DDEPT.	业务采购部 OPERATION STOCK DEPT.	质检部 Q C DEPT.

深圳市新合丰科技有限公司

地址：深圳市宝安区 37 区新乐路 84 号 3 楼

电话 (TEL) : 0755-27839956

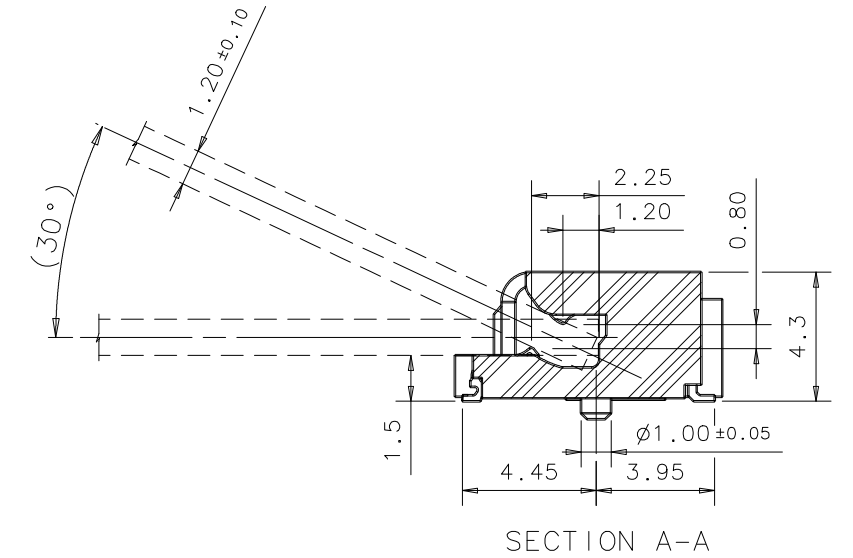
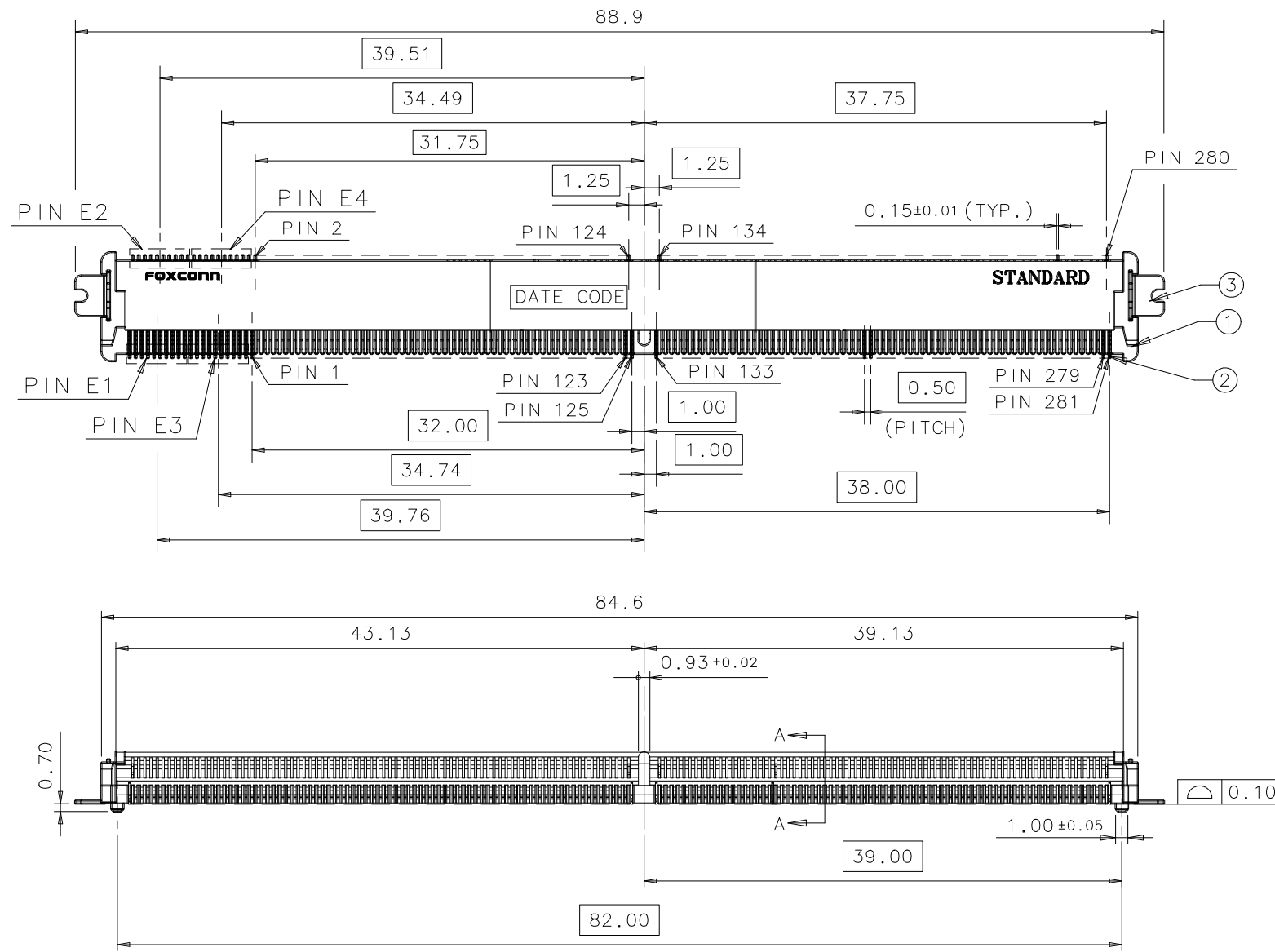
传真 (FAX) : 0755-27839957

IDEAS GENERATED DRAWING, DON'T CHANGE BY HAND.

REV.	ECN. NO.	APPD.
A	BC-08-7081973	Herry Yang
B	BC-09-7108234	Herry Yang
C	BC-11-0024706	Herry Yang
D	BC-13-0086293	C.S Li
E	BC-17-0042095	Davy Bu
F	BC-18-0009439	Davy Bu

NOTES:

- ELECTRICAL CHARACTERISTICS :
 - VOLTAGE RATING 50V DC PER CONTACT.
 - INSULATION RESISTANCE : 250MEGAOHMS. MIN. AT 500V DC.
- MECHANICAL CHARACTERISTICS :
 - DURABILITY : 60 MATING CYCLES.
- OPERATION TEMPERATURE : -40°C TO + 85°C
- THE NVIDIA'S MOBILE PCI EXPRESS MODULE ELECTROMECHANICAL SPECIFICATION CONTROLS MXM GRAPHICS MODULE PCB AND CONNECTOR MOTHERBOARD FOOTPRINT DIMENSIONS. IT IS SHOWN FOR REFERENCE ONLY, AND IS SUBJECT TO CHANGE.
- INTERPRET DRAWING PER ASME Y14.5M-1994.
- PLEASE CONTACT FOXCONN SALES REPRESENTATIVE TO VERIFY PRODUCT DETAILS & AVAILABILITY.



PART NO. DESCRIPTION: A S O B8 2 * - S 43 * - * H

MEMORY MODULE SOCKET
 HORIZONTAL TYPE
 SINGLE ROW
 NO. OF POS.
 B8= 314 POS.
 SMT
 CONTACT AREA PLATING
 1=GOLD FLASH
 Y=5u" GOLD PLATING
 6=10u" GOLD PLATING
 7=15u" GOLD PLATING
 3=30u" GOLD PLATING

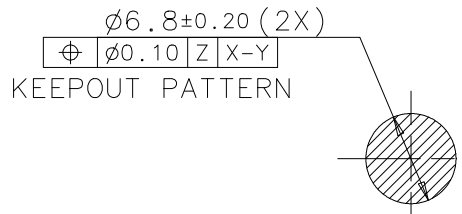
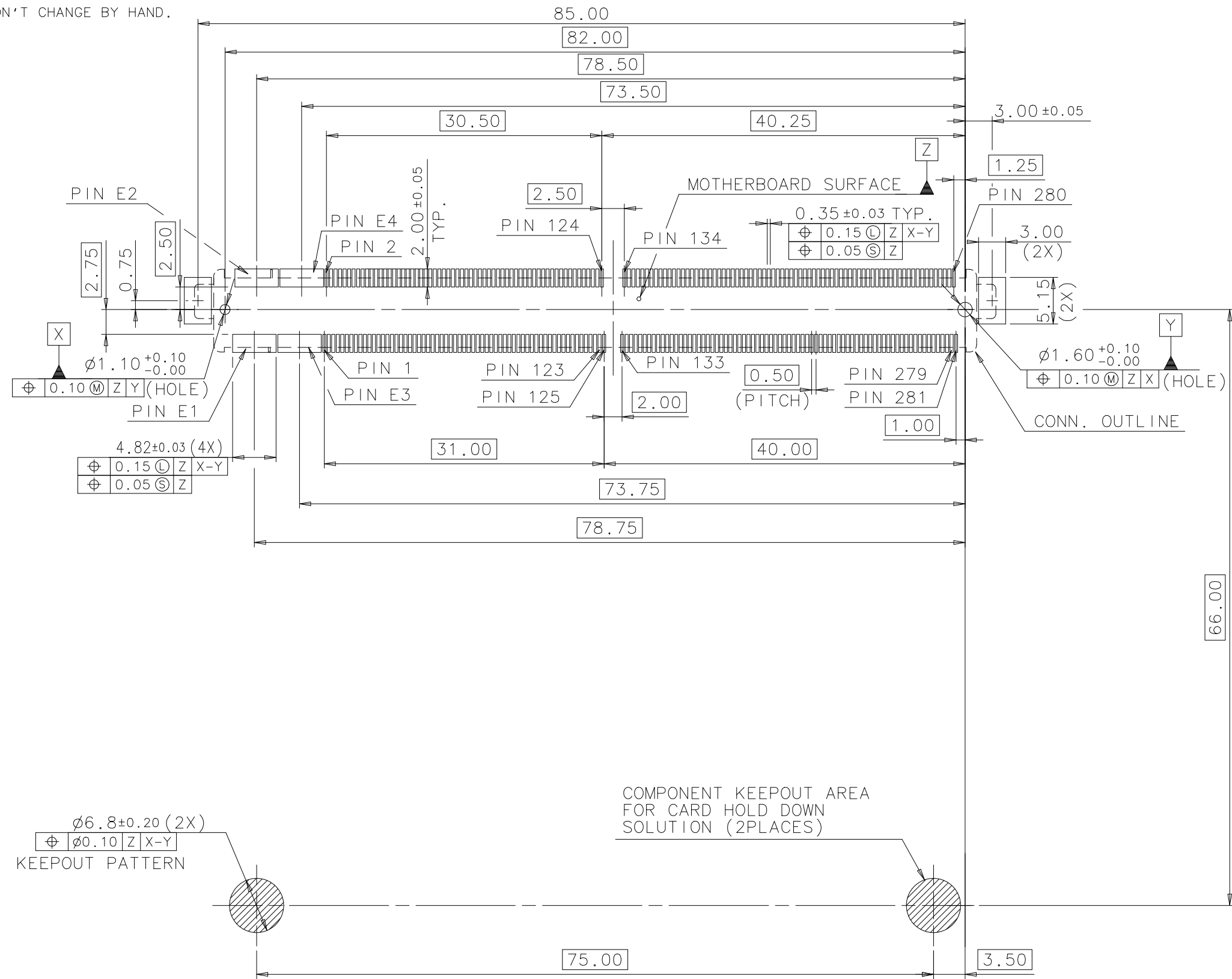
H=HALOGEN/LEAD FREE
 7=TAPE & REEL
 4=SOFT TRAY
 B=BLACK COLOR
 N=IVORY COLOR
 43=4.3mm HEIGHT
 STANDARD

ITEM	DESCRIPTION	Q'TY	MATERIAL	TREATMENT
③	METAL EAR	2	COPPER ALLOY	50u" NICKLE UNDER PLATING OVER ALL 30u" PURE TIN PLATING OVER ALL
②	CONTACT	314	COPPER ALLOY	50u" NICKEL UNDER PLATING GOLD FLASH AT TAIL GOLD FLASH OR 5u" GOLD PLATING OR 10u" GOLD PLATING OR 15u" GOLD PLATING OR 30u" GOLD PLATING AT CONTACT AREA
①	HOUSING	1	THERMOPLASTIC	UL94V-0, HALOGEN FREE

UNITS	mm	NAME (INTENDED USE)	深圳市新合丰科技有限公司
X. ± 0.30	X° ± 2.0°	MXM 3.0 CONNECTOR	CLASS: <input type="checkbox"/> CONFIDENTIAL <input type="checkbox"/> SECRET <input checked="" type="checkbox"/> GENERAL
.X ± 0.20	.X° ± 1.0°	PART NO. (INTENDED USE)	
.XX ± 0.15	.XX°	ASOB82*-S43*-*H	TITLE: CUSTOMER DRAWING
.XXX±	.XXX°±	APPD: Davy Bu	DWG NO.:
THESE DRAWINGS AND SPECIFICATIONS ARE THE PROPERTY OF FOXCONN INTERCONNECT TECHNOLOGY LIMITED AND SHALL NOT BE REPRODUCED, COPIED OR USED IN ANY MANNER WITHOUT THE PRIOR WRITTEN CONSENT OF FOXCONN INTERCONNECT TECHNOLOGY LIMITED.		CHKD: Johnny Tang	317-0000-1659
		DR: Eric.y.s 03/01'18	SCALE SHEET REV.
			N/A 1/4 F

IDEAS GENERATED DRAWING, DON'T CHANGE BY HAND.

REV.	ECN. NO.	APPD.



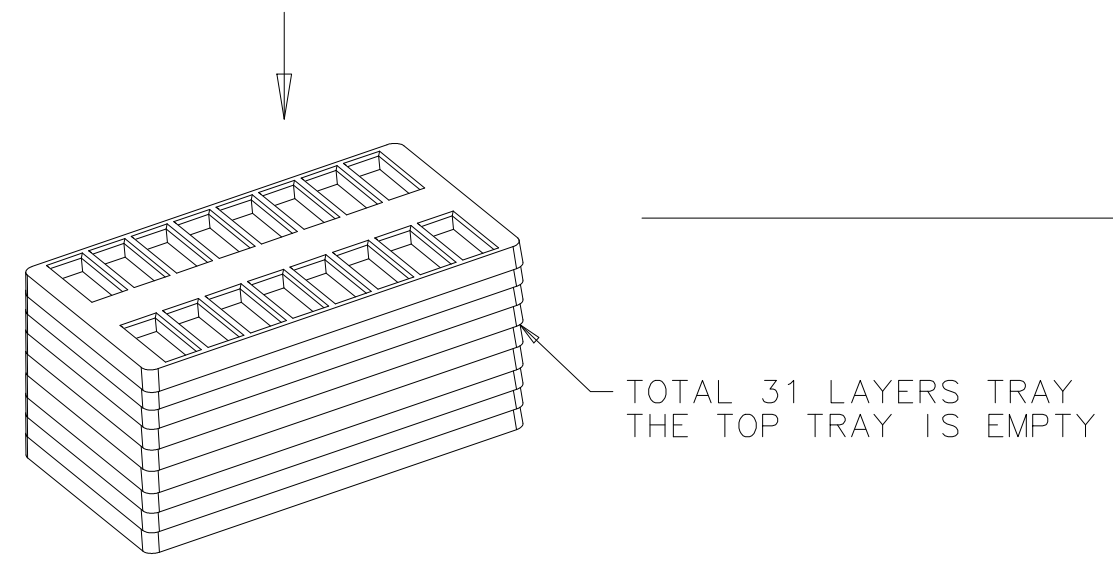
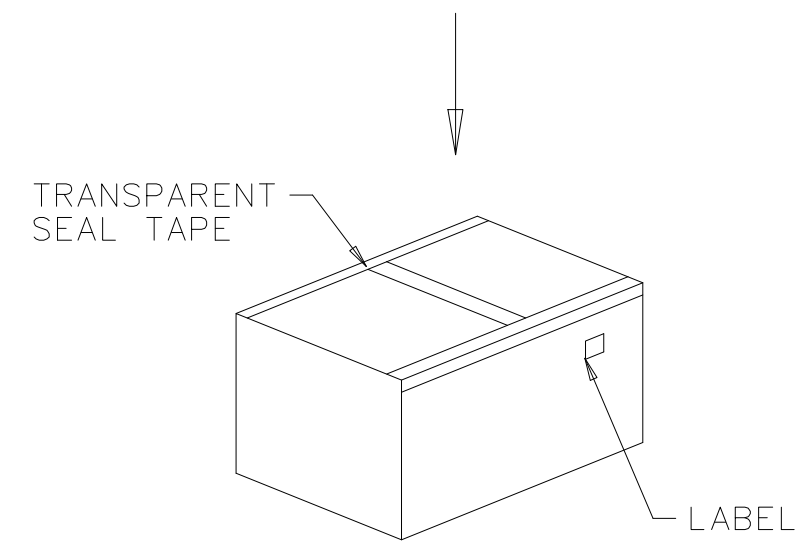
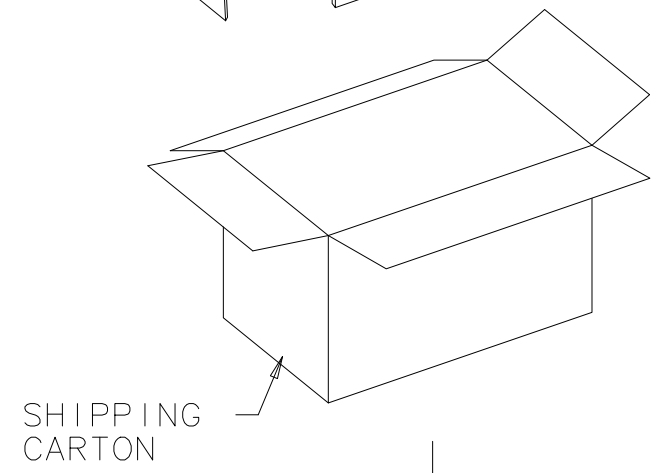
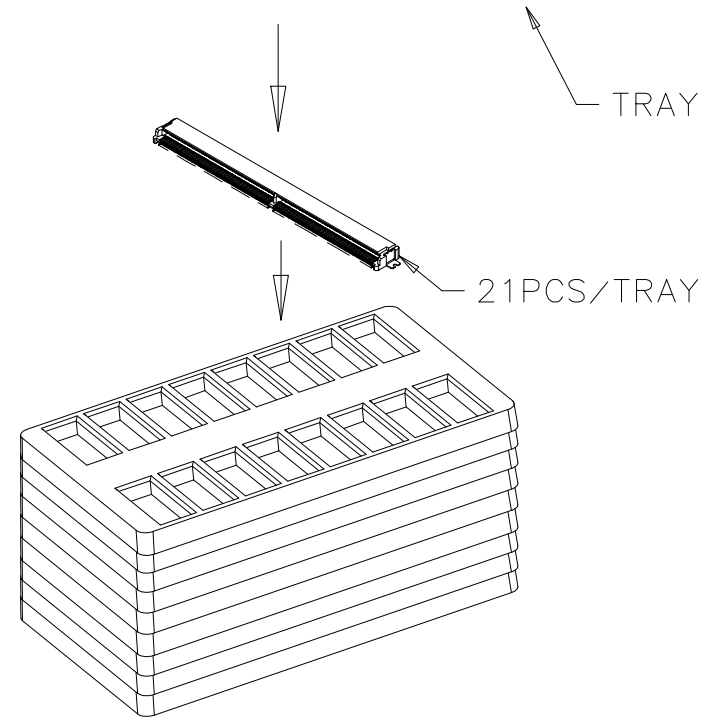
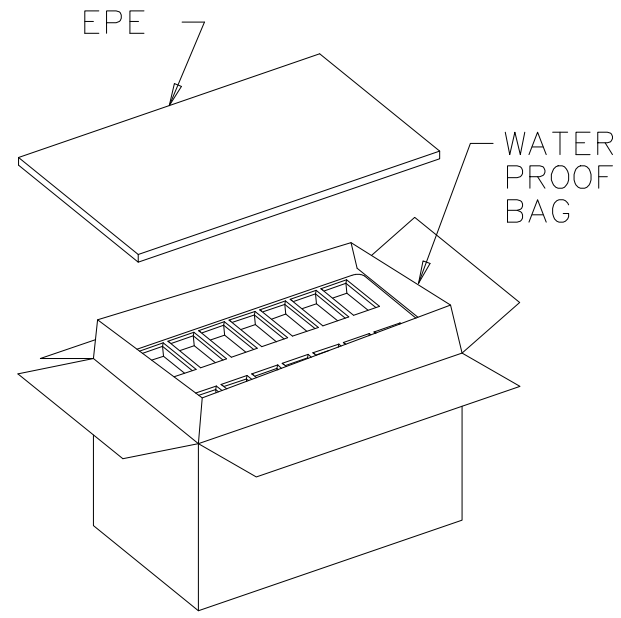
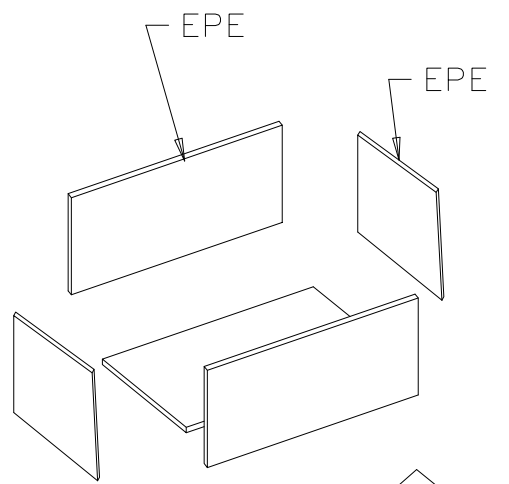
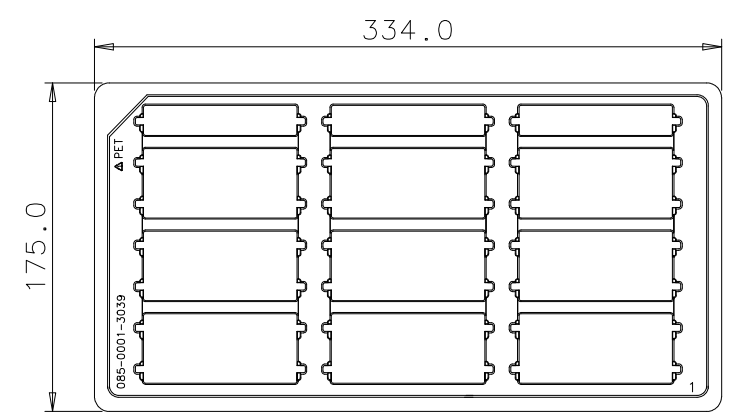
COMPONENT KEEP-OUT AREA FOR CARD HOLD DOWN SOLUTION (2PLACES)

RECOMMENDED PCB LAYOUT

X. ±	X°. ± 2.0°	UNITS mm	NAME (INTENDED USE)	深圳市新合丰科技有限公司 CLASS: <input type="checkbox"/> CONFIDENTIAL <input type="checkbox"/> SECRET <input checked="" type="checkbox"/> GENERAL
.X ± 0.10	.X° ± 1.0°	MAT'L	MXM 3.0 CONNECTOR	
.XX ± 0.05	.XX°	FINISH	PART NO. (INTENDED USE)	TITLE: CUSTOMER DRAWING
.XXX ±	.XXX° ±	Q'TY	AS0B82*-S43*-*H	DWG NO.:
THESE DRAWINGS AND SPECIFICATIONS ARE THE PROPERTY OF FOXCONN INTERCONNECT TECHNOLOGY LIMITED AND SHALL NOT BE REPRODUCED, COPIED OR USED IN ANY MANNER WITHOUT THE PRIOR WRITTEN CONSENT OF FOXCONN INTERCONNECT TECHNOLOGY LIMITED.			APPD: Davy Bu	317-0000-1659
			CHKD: Johnny Tang	SCALE SHEET REV.
			DR: Eric.y.s 03/01'18	N/A 2/4 F

IDEAS GENERATED DRAWING, DON'T CHANGE BY HAND.

REV.	ECN. NO.	APPD.



TOTAL 31 LAYERS TRAY
THE TOP TRAY IS EMPTY

X. ±	X° ± 2.0°	UNITS	mm
.X ± 1.0	.X° ± 1.0°	MAT'L	
.XX ± 0.50	.XX°	FINISH	
.XXX ±	.XXX° ±	Q'TY	

THESE DRAWINGS AND SPECIFICATIONS ARE THE PROPERTY OF FOXCONN INTERCONNECT TECHNOLOGY LIMITED AND SHALL NOT BE REPRODUCED, COPIED OR USED IN ANY MANNER WITHOUT THE PRIOR WRITTEN CONSENT OF FOXCONN INTERCONNECT TECHNOLOGY LIMITED.

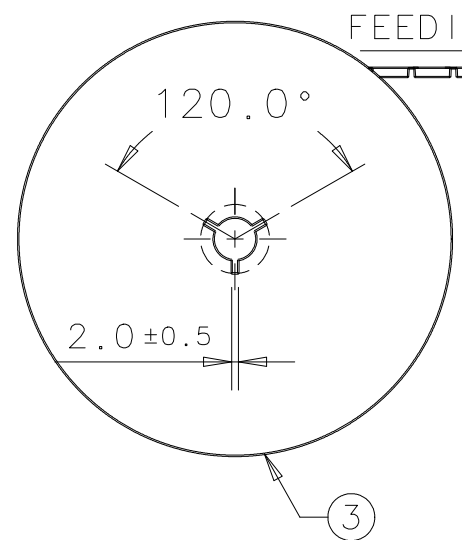
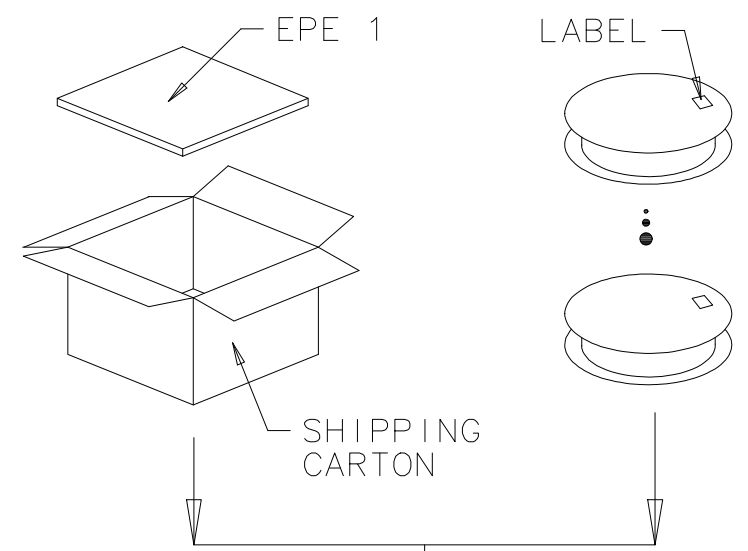
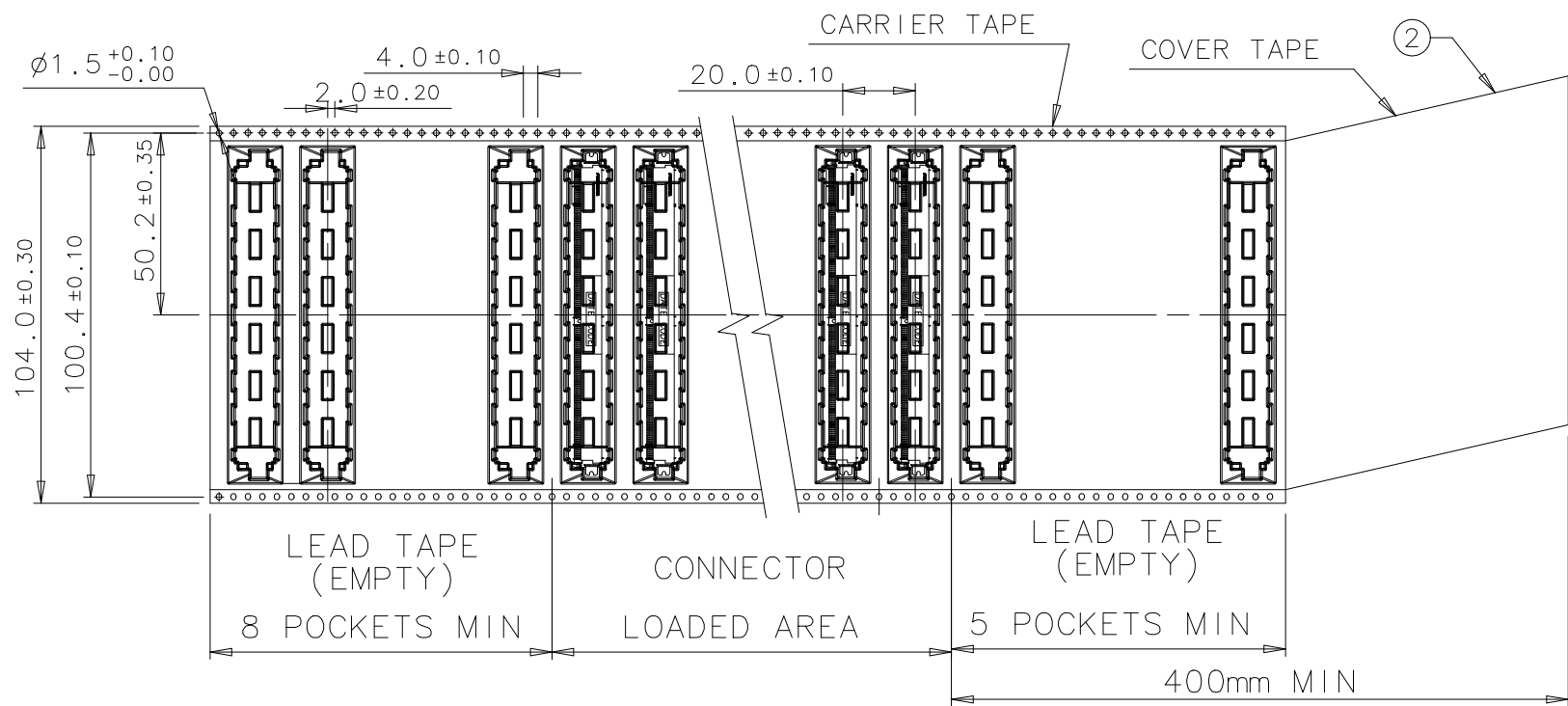
630 PCS	21 PCS	ASOB82*-S43*-4H
QTY/BOX	QTY/TRAY	CONNECTOR P/N
NAME (INTENDED USE) MXM 3.0 CONNECTOR		深圳市新合丰科技有限公司 CLASS: <input type="checkbox"/> CONFIDENTIAL <input type="checkbox"/> SECRET <input checked="" type="checkbox"/> GENERAL
PART NO. (INTENDED USE) ASOB82*-S43*-*H		
APPD: Davy Bu		DWG NO.: 317-0000-1659
CHKD: Johnny Tang		SCALE SHEET REV. N/A 3/4 F
DR: Eric.y.s 03/01'18		

FK2B00065D

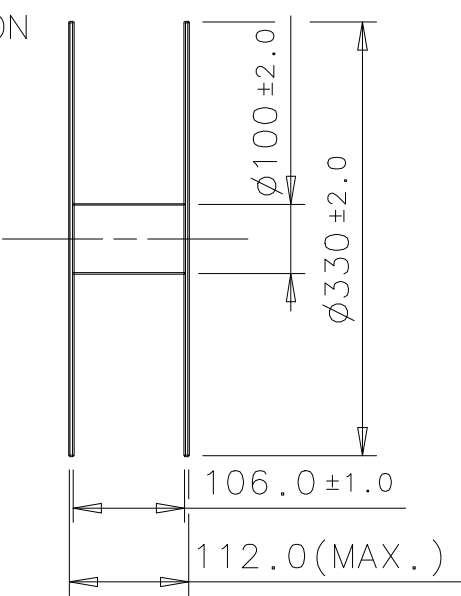
IDEAS GENERATED DRAWING, DO NOT CHANGE BY HAND

REV.	ECN.	NO.	APPD.

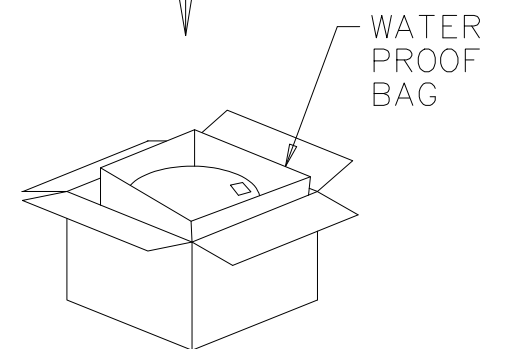
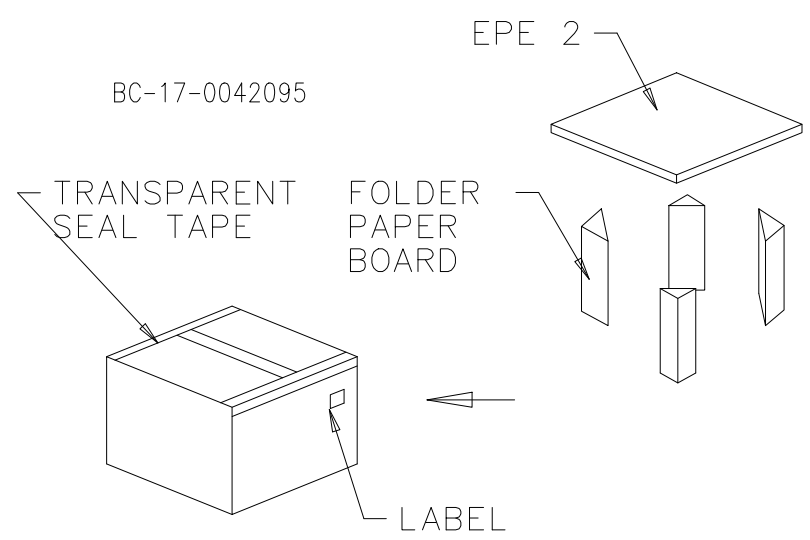
FEEDING DIRECTION



FEEDING DIRECTION

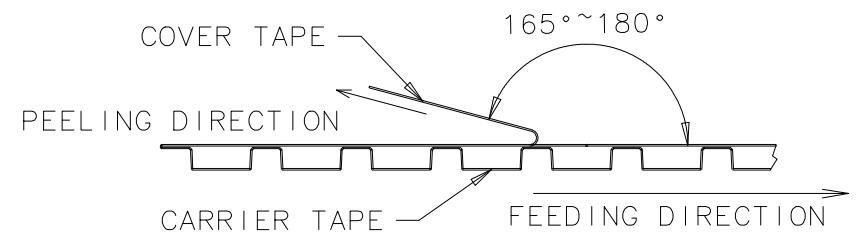


BC-17-0042095



NOTES:

- 10 POCKETS HOLE PITCH CUMULATIVE TOLERANCE ± 0.20 mm.
- COVER TAPE PEELING STRENGTH : 0.01kgf MIN., 0.15 kgf MAX. AT 300mm/min.



- PACKING CAPACITY : 600 PCS/REEL, 3 REELS/BOX, TOTAL 1800 PCS/BOX.

③	REEL	POLYSTYRENE
②	COVER TAPE	POLYSTER
①	CARRIER TAPE	POLYSTYRENE
ITEM	DESCRIPTION	MATERIAL

X. ± 1.0	X°. $\pm 2.0^\circ$	UNITS mm	NAME (INTENDED USE)	深圳市新合丰科技有限公司
.X ± 0.50	.X° $\pm 1.0^\circ$	MAT'L	MXM 3.0 CONNECTOR	
.XX ± 0.20	.XX°	FINISH	PART NO. (INTENDED USE)	CLASS: <input type="checkbox"/> CONFIDENTIAL <input type="checkbox"/> SECRET <input checked="" type="checkbox"/> GENERAL
.XXX \pm	.XXX° \pm		ASOB82*-S43*-H	TITLE: CUSTOMER DRAWING
THESE DRAWINGS AND SPECIFICATIONS ARE THE PROPERTY OF FOXCONN INTERCONNECT TECHNOLOGY LIMITED AND SHALL NOT BE REPRODUCED, COPIED OR USED IN ANY MANNER WITHOUT THE PRIOR WRITTEN CONSENT OF FOXCONN INTERCONNECT TECHNOLOGY LIMITED.			APPD: Davy Bu	DWG NO.:
			Q'TY	317-0000-1659
			CHKD: Johnny Tang	SCALE SHEET REV.
			DR: Eric.y.s 03/01'18	N/A 4/4 F

CONNECTOR P/N ASOB82*-S43*-7H